

# G3 Interface Unit Type 2027 (B593)

## **G3 Interface Unit Type 2027 (B593)**

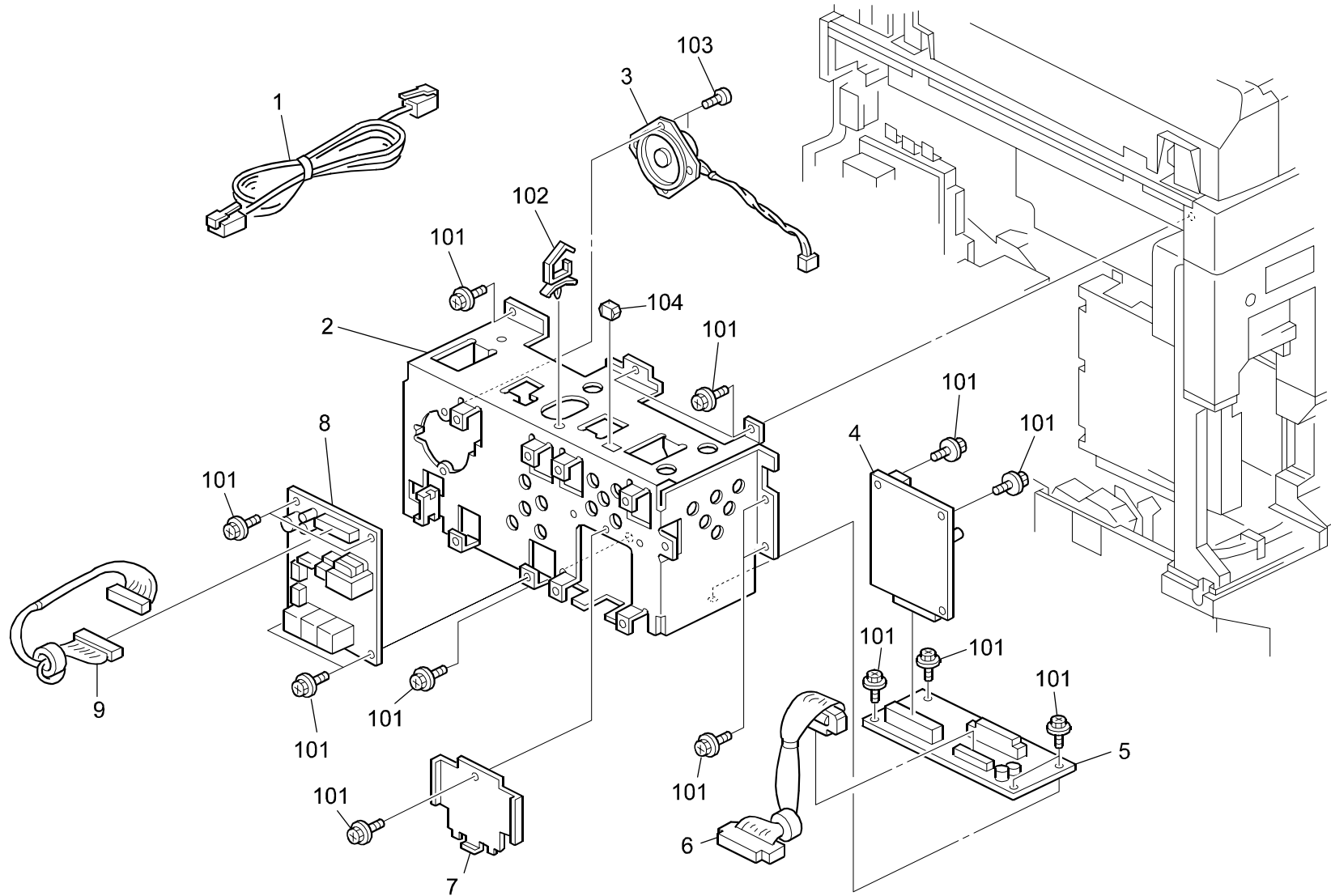
### **PARTS CATALOG**

This catalog gives the numbers and names of parts on this machine.

1.G3 INTERFACE UNIT (B593).....	2
<b>PARTS INDEX .....</b>	<b>5</b>

**September ,05 ' 2003**

# 1.G3 INTERFACE UNIT (B593)



### 1.G3 INTERFACE UNIT (B593)

Index No.	Part No.	Description	Q'ty Per Assembly
1	H523 5350	Telephone Cable	1
2	A895 5810	Bracket Fax Option	1
3	G025 1211	Speaker - GS	1
4	H310 6185	SG3-D Board	1
5	B449 5190	CCI Board	1
6	A268 5272	FCU-EXCOM Harness	1
7	A895 5811	Bracket Harness	1
8	5488 6222	NCU-FD-U2 Board - 120V	1
8	5488 6292	NCU-FD-EA2T Board - 230V TWN	1
9	B593 5273	Harness:EXNCU	1

Index No.	Part No.	Description	Q'ty Per Assembly
101	0451 3006B	Tapping Screw - M3x6	
102	1105 0516	Clamp	
103	0453 3006B	Tapping Screw - M3x6	
104	1102 4473	CT Connector - 2p	

# Parts Index

## Parts Index

Part No.	Description	Page and Index No.
B593 5273	Harness:EXNCU	3 - 9

Part No.	Description	Page and Index No.
A268 5272	FCU-EXCOM Harness	3 - 6
A895 5810	Bracket Fax Option	3 - 2
A895 5811	Bracket Harness	3 - 7
B449 5190	CCI Board	3 - 5
G025 1211	Speaker - GS	3 - 3
H310 6185	SG3-D Board	3 - 4
H523 5350	Telephone Cable	3 - 1

Part No.	Description	Page and Index No.
0451 3006B	Tapping Screw - M3x6	3 -101
0453 3006B	Tapping Screw - M3x6	3 -103
1102 4473	CT Connector - 2p	3 -104
1105 0516	Clamp	3 -102

Part No.	Description	Page and Index No.
5488 6222	NCU-FD-U2 Board - 120V	3 - 8
5488 6292	NCU-FD-EA2T Board - 230V TWN	3 - 8